

Full instructions for installing and operating your Hotpoint Built-In Fridge

Model 6980



Hotpoint

HOTPOINT SERVICE OFFICES

If you have any trouble with your appliance, please call whichever of these numbers you think is applicable. It does not matter if you guess wrong: we'll make sure that the nearest Hotpoint Service Office tackles the problem.

NORTH EAST

North Humberdale, East Yorkshire:
Custom House Building, Whitehartgate, Hull.

Tel: Hull 224777

South Yorkshire:
Morphy Richards, Mexborough, South Yorkshire.

Tel: Mexborough 582831

North & West Yorkshire:
Sandwell Lane, Wetherby, West Yorkshire.

Tel: Wetherby 61444/61261

South Durham, Cleveland:
59 Albert Road, Middlesbrough.

Tel: Middlesbrough 248436

North Durham, Tyne & Wear, Northumberland:
24 Northumberland Road, Newcastle on Tyne.

Tel: Newcastle 321008

NORTH WEST

Cumbria, Lancashire:
Munford House, 28 Highgate, Kendal, Cumbria.

Tel: Kendal 24483

Lancashire:
24/25 Cannon Street, Preston, Lancashire.

Tel: Preston 24311

Greater Manchester:
44/46 Station Road, Heaton Mersey, Stockport.

Tel: 061-442 8677

Merseyside:
40 Conroy Hill Lane, St. Helens, Merseyside.

Tel: St. Helens 35152

Cheshire, Wirral:
1 Church Parade, Ellesmere Port, South Wirral.

Tel: 061-356 2141

S & W MIDLANDS

Herefordshire:
3/5 Braddon Hill, Braddon, Bristol.

Tel: Bristol 714471

Derby, Leicestershire:
224 Broadway, Dicket, Don.

Tel: Dicket 817711

Staffs, Salop:
West Avenue, Nelson Estate, Talke, Stoke on Trent.

Tel: Kidsgrove 74511

Worcester, Birmingham, West Midlands:
Westgate, Abingdon, W. Midlands.

Tel: Abingdon 55641/55861

E. MIDLANDS

Leicestershire:
65 Belgrave Gate, Leicester.

Tel: Leicester 29336

North Lincs, South Humbersides:
Firth Road, Lincoln.

Tel: Lincoln 33611

South Lincs:
Celia Road, Fletton, Peterborough, Cambs.

Tel: Peterborough 64741

Northants, Warwickshire:
39B Cambridge Street, Wellingborough, Northants.

Tel: Wellingborough 223669

Nottinghamshire, Derbyshire:
Alding Street, Nottingham.

Tel: Nottingham 862431

EASTERN

Bedfordshire, North Herts:
5 Cranley Road, Luton, Beds.

Tel: Luton 452211

Norfolk, Suffolk:
92 Upper St. Giles Street, Norwich.

Tel: Norwich 20581

Cambridgeshire, Hunts:
Celia Road, Fletton, Peterborough, Cambs.

Tel: Peterborough 64741

Essex:
Industrial Buildings, Basildon Lane, Chelmsford, Essex.

Tel: Chelmsford 69331

Sometimes a number is changed when an edition of this leaflet is still current. So if you get no reply from one of these, either try another of the numbers shown here, or see under Hotpoint in your telephone book.

LONDON & SOUTH EAST

Middlesex, South Herts:
68 East Lane, Wembley, Middlesex.

Tel: 01-908 1933

London:
68 East Lane, Wembley, Middlesex.

Tel: 01-904 1250

Surrey:
2 St. Nicholas Rd, Sutton, Surrey.

Tel: 01-643 0921

Sussex:
1 Kingswood, North Street, Hailsham, Sussex.

Tel: Hailsham 642733

Kent:
Larfield Trading Estate, New Hythe Lane, Larfield, Kent.

Tel: Maidstone 76571

SOUTH WEST

Glouce, Avon, Wilts:
3/5 Braddon Hill, Braddon, Bristol.

Tel: Bristol 714471

Somerset, Cornwall, Devon:
69 Military Plain, Plymouth.

Tel: Plymouth 262631

Hampshire, Dorset:
S. Hampshire Industrial Pk, Salisbury Rd, Totton, Hants.

Tel: Southampton 861981

SCOTLAND

Grampian, Highlands:
Hoback House, 68 Carden Place, Aberdeen.

Tel: Aberdeen 642283

Tayside, Fife, Perth:
Bannerman House, South Tay Street, Dundee.

Tel: Dundee 28383

Central, Lothians, Borders:
35 West Bowling Green Street, Leith, Edinburgh.

Tel: 031-554 1431

Strathclyde, Dumfries, Galloway:
West Lodge Road, Blythwood Estate, Renfrew.

Tel: 041-986 6241

WALES

North Wales:
Conry Road, Llanelwys Junction, North Wales.

Tel: Deganwy 82626

Mid & South Wales:
18, Western Avenue, Bridgend Industrial Estate, Bridgend, Mid-Glamorgan.

Bridgend 64171

IRELAND

Northern Ireland:
256 Ormeau Road, Belfast 7.

Tel: Belfast 64711

Eire:
35/36 Arran Quay, Dublin 7.

Tel: Dublin 725922

Hotpoint

Hotpoint Ltd., Peterborough, England, PE2 9JB

Your new Built In Fridge

Using your new Fridge is very simple. Nevertheless, to get the best results it is important that you read right through this handbook before installing and using your fridge for the first time.

Electrical Requirements

All Hotpoint appliances come complete with a fitted plug. The plug on your fridge has a 13A fuse. If the plug does not fit your sockets, a new plug can be fitted. Cut off the old plug and throw it away, do not insert it into a socket elsewhere in the house as this could cause a shock hazard.

Any permanent electrical installation should be carried out in compliance with the appropriate I.E.E. and local electricity board regulations by a qualified electrician e.g. your local electricity board or a contractor who is on the roll of the National Inspection Council for Electrical Installation Contracting (NICEIC).

INCORRECT INSTALLATION COULD AFFECT THE SAFETY OF THE APPLIANCE.

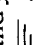
If the Fridge is permanently wired in this must be via a suitable double pole isolating switch placed in a readily accessible position adjacent to the unit.

WARNING: THIS APPLIANCE MUST BE EARTHED IMPORTANT: Fitting a Different Plug:

The wires in this mains lead are coloured in accordance with the following code:

Green and Yellow — Earth
Blue — Neutral
Brown — Live

If you fit your own plug, the colours of these wires may not correspond with the identifying marks on the plug terminals. This is what you have to do:

1. Connect the green and yellow (Earth) wire to the terminal in the plug marked 'E' or with the symbol , or coloured green or yellow.
2. Connect the blue (Neutral) wire to the terminal in the plug marked 'N' or coloured black.
3. Connect the brown (Live) wire to the terminal marked 'L' or coloured red.

With alternative plugs a 5A fuse must be fitted either in the plug or adaptor or in the main fuse box. In the event of replacing a fuse in the plug supplied, a 13A ASTA approved fuse to BS1362 must be fitted.

If the plug is the moulded on type the fuse cover must be refitted when changing the fuse. In the event of losing the fuse cover, the plug must **not** be used until a replacement fuse cover has been obtained and fitted. A new fuse cover can be obtained from your nearest Hotpoint Service Office or local Electricity Board. The colour of the correct replacement fuse cover is that of the coloured marks or insert in the base of the plug.

Five Year Guarantee



From the moment your refrigerator is delivered, Hotpoint guarantees it for FIVE YEARS.

During the five years all parts are completely free of charge, provided they are fitted by Hotpoint's own Service Engineer. Labour costs are chargeable after the first year.

Your FIVE YEAR guarantee also covers loss of food up to £250 in the first year.

This guarantee does not include accidents, negligence or power cuts. The refrigerator must be used in the United Kingdom and must not be tampered with or taken apart by anyone who is not an authorised Hotpoint representative. Hotpoint's guarantee in no way limits your legal rights.

Iced Diamond Plan

At the end of the first year Hotpoint offer a Service Plan which for an annual payment provides free of charge repairs and extends the loss of food cover up to £250 throughout the membership period.

If you wish to enjoy the benefits of this scheme please fill in the registration card and send it, together with your cheque/postal order to the nearest Hotpoint Service Office, addresses shown on the back page.

Proof of Purchase

or future reference please attach your purchase receipt to this booklet and keep it in a safe place.

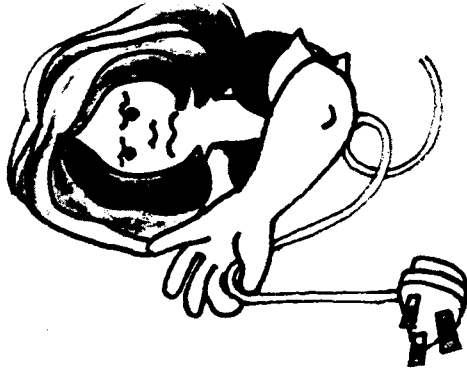
In accordance with it's policy of progressive product design, the Company reserves the right to alter specifications.

If your Fridge won't work

... don't panic.

Just run through these quick checks before calling your local Hotpoint Service Office.

1. If you are using a plug and socket, check that the plug is firmly in the wall socket and that the power supply is on.
2. Check the power supply to the socket by plugging in another appliance.
3. If the other appliance works, check the fuse in the refrigerator's plug.
4. If you have changed the plug, check the wiring (see page 2).
5. If the interior light fails to work, refer to page 13 for further instructions.
6. If water appears down the inside back of the cabinet, check that the gutter drain hole has not become blocked or that there is nothing touching the cooling plate. (N.B. Water droplets on the cooling plate are quite normal).
7. If the Fridge is not sufficiently cold check that there is adequate ventilation (see page 4) and that the ventilation grilles have not become blocked.
8. If the fridge compartment is too cold check that the temperature control is not on too high a setting.



If, after following these instructions, you are still having problems, contact your nearest Hotpoint Service Office (or local importer if outside the United Kingdom). The telephone number is shown on the back page.



When you contact us we need to know:

1. Your name, address and post code.
 2. Your telephone number.
 3. Clear and concise details of the fault.
 4. The model number (6980)
 5. When it was purchased.
- Please put the date here.....
6. If you have subscribed to the Hotpoint Iced Diamond Plan (see opposite page).
- Make sure you have all these details before you call.

Contents

	Page
Installation	4-7
Where to put your Fridge - Ventilation	
Dimensional Requirements	
Reversing the Doors	
Decorative Panel	
Installing the Fridge into the Housing Unit	
Get to know your Fridge	8
Before you put in any food	
The Controls	9
Starting	
Running In	
Controlling the Temperature	
Storing Food	10-11
In the Fridge Compartment	
In the Frozen Food Compartment	
Do's and Don'ts	
Caring for your Fridge	12-13
Defrosting	
Cleaning	
Replacing the Interior Light	
Going Away	
If your Fridge won't work	14-15
Five Year Guarantee and Iced Diamond Plan	

Installation

Where to put your Fridge - Ventilation

Try to avoid putting your fridge into a housing unit which is next to a cooker, radiator or boiler. In such a position your fridge will have to work harder and will cost more to run. Warm air which is generated at the rear of the Fridge must be allowed to escape. Sufficient space must, therefore, be left at the back of the appliance and a ventilation opening of at least 170 cm² (26 sq ins) must be provided both above and below the appliance (see Fig. 1). Particular attention must be paid to ensure that the air inlet and outlet areas are kept clear and sufficient space is allowed between the top of the housing unit and the ceiling.

Contrary to what you might expect, if you position your Fridge in a cold room where the air temperature may go below 8°C (46°F) for prolonged periods the frozen food compartment will run warmer and hence the storage time for food may be reduced.

Dimensional Requirements

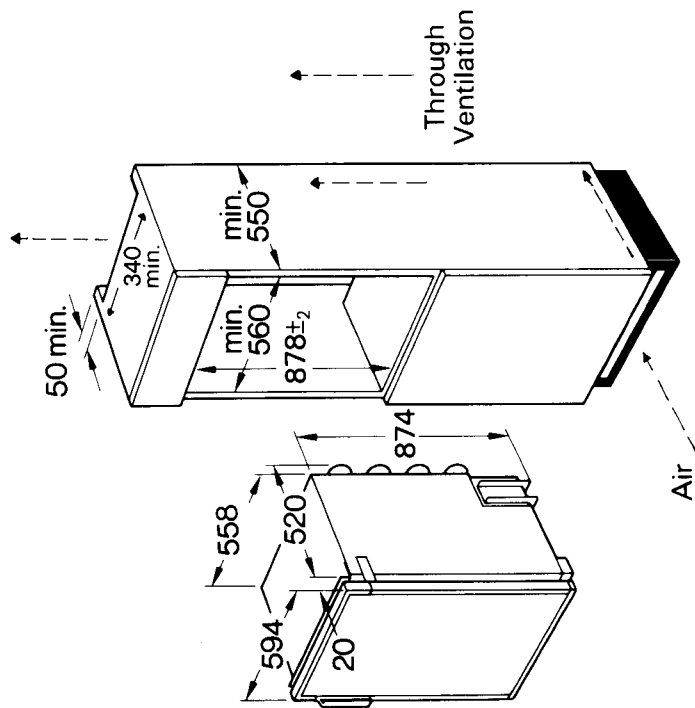


Fig. 1

Cleaning your Fridge

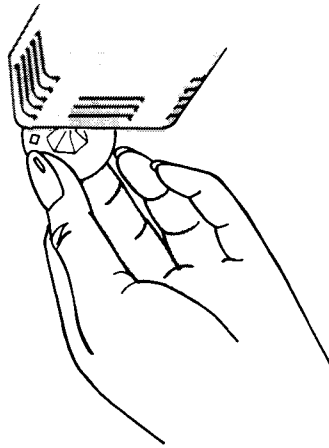
It is a good idea to clean the inside of your fridge and frozen food compartment after defrosting. Always **switch off the electricity supply**. Wipe out the inside of the fridge using a clean cloth wrung out in a solution of either one teaspoonful of bicarbonate of soda to one pint of water or Milton diluted according to the manufacturer's instructions. The complete interior including the door, and removable parts, should be washed. Never use any household cleaner or detergent, abrasive powders or wax polish. These not only damage the surfaces, but also leave a smell in the fridge. Before you refill the fridge ensure it is thoroughly dry.

Clean the outside of your fridge **but not the door seal**, with a damp cloth, using a small amount of detergent, followed by a wipe down with a clean cloth. Do not use an abrasive powder. **The rubber door seal must be cleaned with soap and water only as detergent will damage it.**

Once a year the compressor and condenser at the back of the fridge can be carefully cleaned. To do this, unscrew the fridge and pull it out of the housing unit. Use a brush or vacuum cleaner to remove any dust. Make sure the fridge is switched off when you do this. Remember to switch on again when you have finished cleaning your fridge.

How to Replace the Interior Light

Should the light fail to work, **switch off the electricity supply**, remove the lamp cover by releasing it from the bottom and easing it out at the top. Then ensure the bulb is screwed securely into the bulb holder. Replace cover and switch on ensuring that the Thermostat control is not in the 'O' (off) position. If the light still fails to work remember to **switch off the supply** again, remove cover and then unscrew the bulb completely. Replace the bulb with one of a similar type (S.E.S. 15 watts maximum). Replace the lamp cover and switch on again.



Going Away

If you expect to be away for any length of time and don't want to use your fridge, switch off at the power point and pull out the plug. Remove all food and follow the defrosting instructions (page 12). After defrosting wipe out the interior. Always leave the door ajar to prevent the accumulation of odours.

Caring For Your Fridge

Defrosting

The fridge compartment

The fridge compartment will **automatically** defrost itself and the defrost water will drain out through the hole in the gutter and into a special container where it evaporates. Water droplets will form on the cooling plate during the defrost periods and will freeze on the plate afterwards. If your kitchen becomes exceptionally warm, the cooling plate may not defrost regularly. Do not worry. Periodic defrosting will begin again when conditions return to normal.

Do make sure that the gutter is always kept clear and that stored food does not come into contact with the cooling plate.

The frozen food compartment

Excessive frost build-up reduces the efficiency of the frozen food compartment so from time to time chip off the frost using a plastic or wooden scraper. You do not need to switch off the power supply to do this.

Never use sharp metal tools to chip frost away — they will damage the freezer compartment.

When the ice becomes about 6mm ($\frac{1}{4}$ ") thick on the refrigerated surfaces completely defrost the frozen food compartment. You should find you only need to do this about once or twice a year, depending on usage. Try to defrost when there is little or no food in the compartment.

Defrosting must be carried out as quickly as possible so as not to affect storage times.

Just follow these steps:

1. **Switch off the electricity supply to the fridge.**
2. Remove any frozen food. Wrap it in several layers of newspaper or a blanket and put it in the fridge compartment or a cool place.
3. Remove and empty the Ice Tray.
4. Place a bowl of hot water in the frozen food compartment.
5. As soon as the ice begins to melt, assist its removal using a plastic or wooden scraper.
6. After defrosting remove the bowl from the frozen food compartment and dry the interior thoroughly.
7. Wrap up the frozen food and replace.
8. Switch on the electricity supply to the fridge.
9. Refill the Ice Tray and replace.
10. Job done !

Reversing the Main Door and Frozen Food Compartment Door (see Figs 2, 3 & 4)

If required this must be done before the Fridge is installed into the Housing Unit. To do this:

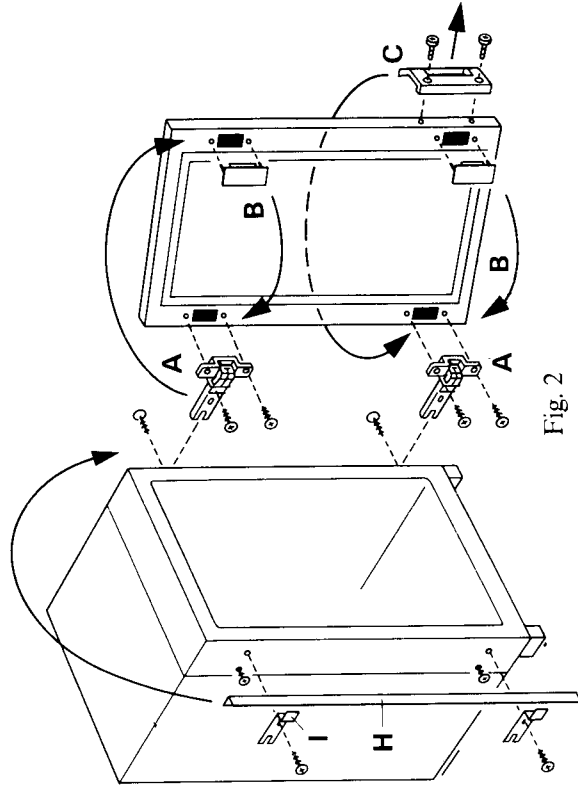


Fig. 2

- 1) Remove the main door by loosening the rear mounting screws and unscrewing the door hinges (A) from the cabinet.
- 2) Unscrew the hinges from the door.
- 3) Pull the hinge cover plates (B) off the door and transfer them to the opposite side.
- 4) Screw the door hinges back on to the door on the opposite side.
- 5) If the door is to be fitted with a decorative panel this should now be done - see "Fitting the Panel" overleaf.
- 6) Transfer the door handle (C) to the opposite side positioning it where required (see overleaf).
- 7) Set the main door aside and turn to the cabinet and reverse the Frozen Food Compartment door (see Fig. 3). To do this:

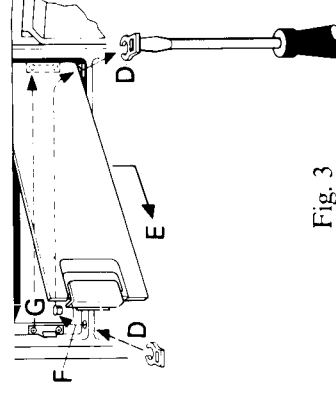


Fig. 3

Installation

(cont'd)

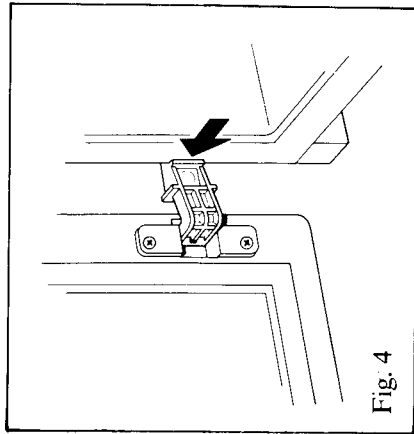


Fig. 4

- 8) Rotate the distance ring (D) to the position as shown and prise out.
- 9) Half open the door (E), tilt and lift out.
- 10) Prise out button (F) and press it into the empty hole on the opposite side.
- 11) Reposition the door catch (G) on the opposite side.
- 12) Put the reversed door back first at the bottom, then at the top, lift the door slightly and slide in and rotate the distance ring.
- 13) Loosen the rear mounting screws on the cabinet itself and transfer the cabinet side trim (H) and its mounting brackets (I) to the opposite side.
- 14) Now return to the main door and screw it into the cabinet making sure that the edges of the hinges lie square against the front of the cabinet (Fig. 4).
- 15) Finally tighten the rear mounting screws.

Positioning the Door Handle

It is possible, if required, to alter the position of the door handle. To do this the handle should be unscrewed and remounted with the handle as shown, (Fig. 5).

Decorative Panel

A decorative door panel can be fitted to match your kitchen units. Dimensions of the decorative panel (not supplied with the appliance) should be 868mm high x 585mm wide.

If the panel is thicker than 4mm it must be thinned down to 4mm on all four sides, 4mm in from each edge. In the case of an extremely thick panel (8mm upwards) a groove must be cut all round. The decor frame on the fridge can then be fitted into this groove.

Fitting the Panel

Remove the top and side door trims and slacken off the screws holding the bottom door trim. Slide the decorative panel in and refit and tighten all the trims.

Do's and Don'ts

- Take off any unusable leaves on vegetables and wipe off any soil.
 - Leave lettuce, cabbage, parsley and cauliflower on the stem.
 - Wrap cheese tightly in cling film excluding as much air as possible. For best results take out of the fridge an hour before eating.
 - Wrap raw meat and poultry loosely in polythene or aluminium foil. This prevents drying.
 - Wrap fish and offal in polythene bags and store as close to the frozen food compartment as possible.
 - Wrap foods which have a strong odour, or can dry out, in polythene bags, aluminium foil or place in airtight containers.
 - Wrap bread well to keep it fresh.
 - Chill white wines, beer, lager and mineral water in the fridge compartment before serving.
 - Wrap frozen food when you buy it and put it into the frozen food compartment as soon as possible.
 - Empty and refill the ice tray periodically to ensure freshness.
 - Store frozen foods in accordance with the instructions given on the packets that you buy.
 - Defrost the frozen food compartment when the ice becomes about 6mm (¼") thick.
 - Make sure the gutter at the back of the fridge compartment is always clear.
 - Remove any particles of food which may collect there.
- ### DON'T
- Store bananas in your fridge.
 - Store melon in your fridge. It can be chilled for short periods as long as it is wrapped to avoid it flavouring other food.
 - Wash eggs as this removes their natural protective film. Wipe them instead.
 - Use eggs straight from the fridge, especially when making cakes or mayonnaise. Allow them to reach room temperature before use.
 - Leave the door open for long periods as this will cause excessive ice formation and make the fridge more costly to run.
 - Cover the shelves with any protective materials which may obstruct air circulation through them.
 - Put liquid filled bottles or sealed cans containing carbonated liquids (fizzy drinks etc) in the frozen food compartment as they may burst.
 - Try to keep frozen food which has thawed; it should be eaten within 24 hours or cooked and refrozen.
 - Give children lollipops and water ices direct from the frozen food compartment. The low temperature may cause 'freezer burns' on their lips.
 - Let anything touch the cooling plate at the back of the fridge

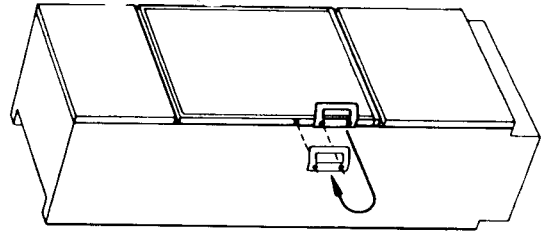


Fig. 5

Storing Food

Storing Food in your Fridge Compartment

You can store most foods in the fridge compartment. Recommended maximum storage times are given below. All foods should be wrapped or covered to prevent drying out and flavour transference. Plastic bags, containers with lids, foil and plastic stretch wrap are ideal. Never put hot or warm food into your fridge as this reduces efficiency.

		Days
RAW FRESH MEAT	Joints, steaks, chops	3-5
	Offal (liver, kidney, etc.), minced meat and sausages	2
COOKED MEAT	including made up dishes and leftovers	2-3
	fresh and whole (store giblets separately)	2-3
POULTRY	Giblets	2
	Cooked	2-3
FISH	Raw	1-2
	Cooked	2-3
BACON		7-10
MILK, CREAM, SALAD, VEGETABLES		3-4

	Weeks	
BUTTER, MARGARINE AND COOKING FATS	3-4	
CHEESE	Hard	3-4
	Cream	1
EGGS	2	

Storing Food in your *** Frozen Food Compartment

Your *** Frozen Food Compartment is suitable for long term storage of already frozen food for up to 3 months. You can store up to 5.8kg (12.8lb) of frozen food. This figure is based on an average density of 0.32kg per litre (20lb per cu. ft.). In the case of meat it will take appreciably more.

For long term storage use setting ***. For best results, always follow the storage instructions on frozen food packets, wrap frozen food in newspaper when you buy it and get it home and stored as soon as possible.

Installing the Fridge into the Housing Unit

(Figs 6, 7, 8 and 9)

- 1) Make sure the housing unit is square, upright and firmly attached to the wall.
- 2) Cut the side trim (H) (see Fig. 2) to the internal height of the recess.
- 3) If the roof or floor of the recess is set back relative to the sides or there is no transom to secure the top or bottom of the fridge to, then a piece or pieces of wood will have to be provided and suitably attached to the housing unit (see Fig. 6).
- 4) Push the fridge nearly into the recess ensuring that the mains cable is not trapped and you have sufficient length to allow connection to the electricity supply.
- 5) Break off the clips (J) from the bottom trim (K) (Fig. 7).
- 6) Place the clips alongside the foot of the fridge cabinet with the locating tabs towards the front. (Fig. 8).
- 7) Push the fridge into the recess so that the upper edge (L) is flush with the front of the recess and the locating tabs at the bottom contact the front of the recess (see Fig. 8).
- 8) Using the screws supplied (M), firmly secure the fridge at the four screw holes (see Fig. 9).
- 10) The locating tabs can now be broken off with a screwdriver or by hand (see Fig. 7).

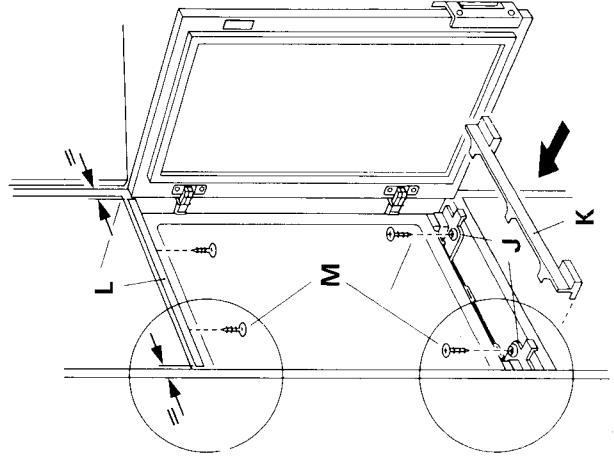
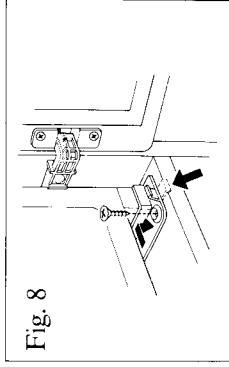
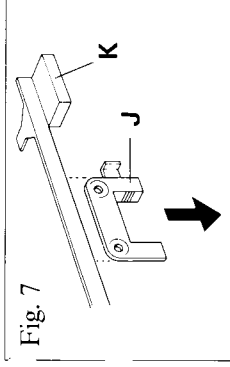
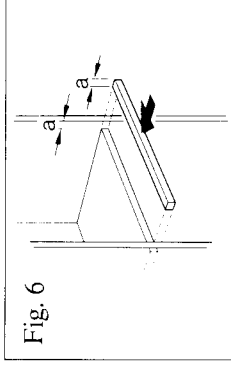
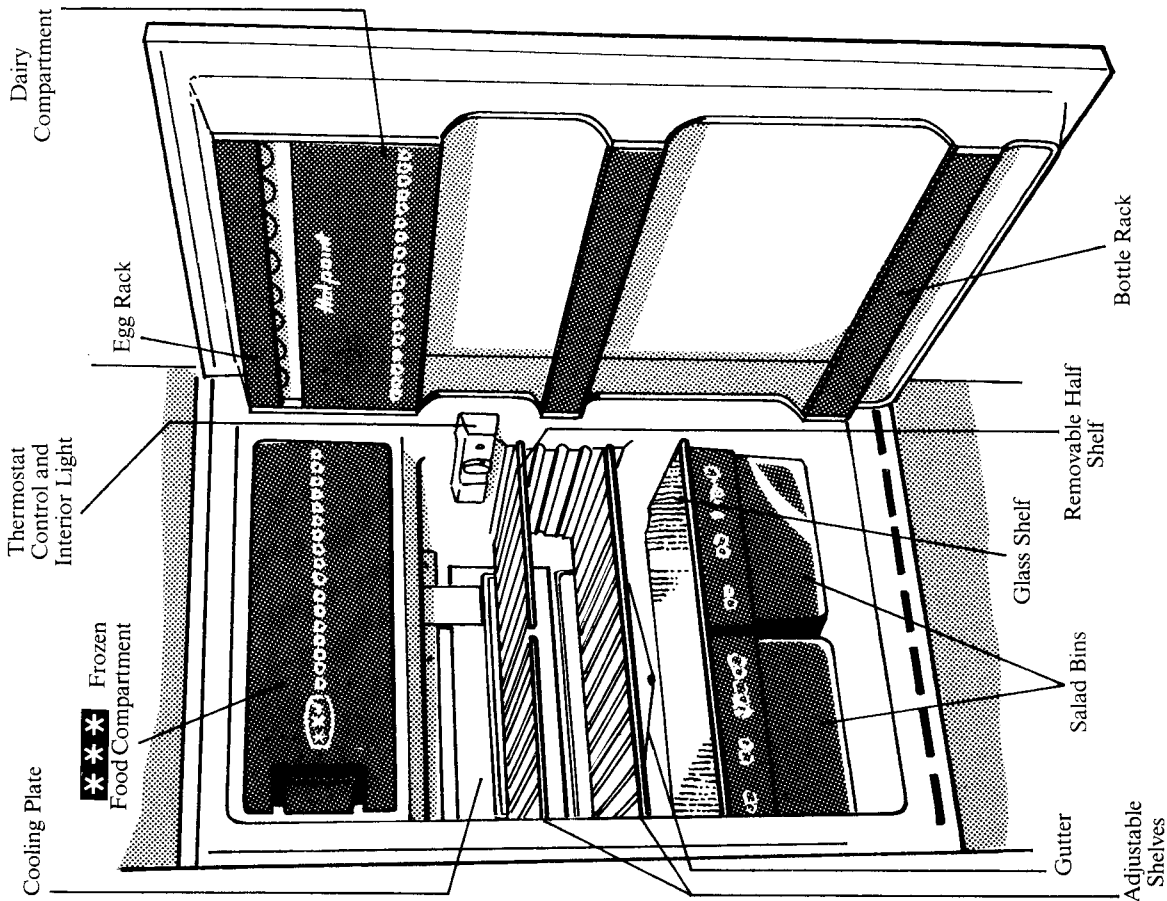


Fig. 9

Get to know your Fridge



Before you put in any Food

Before using your Fridge for the first time, clean the interior - see page 13 "Cleaning". Make sure your Fridge is thoroughly dry before you start to put anything into it.

The Controls

Starting

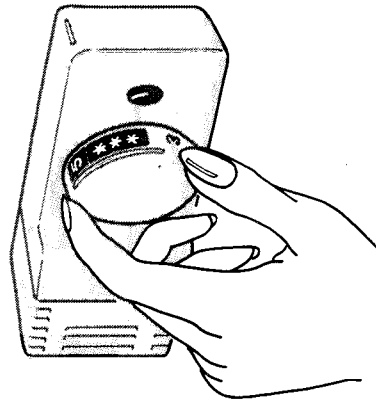
Switch on the electricity supply, open your Fridge door and turn the control dial from the 'O' (off) position. The Fridge will now start to operate and the light will come on. You will hear a noise as the compressor starts up.

Running-In the Compressor

Your fridge is operated by a compressor which switches on and off to maintain the fridge's temperature. The compressor is a precision piece of machinery like a car engine, and requires a certain running-in period of up to 2 months. During this time, the compressor has to work a little harder and this may result in more noise than usual.

Controlling the Temperature

A control setting in the mid-range (3) is recommended if there are no frozen goods in the *** compartment. If there are and long term storage is required then turn the dial to the centre of the setting marked ***. This lowers the temperature to -18°C (0°F) or colder. Location, kitchen temperature and the number of times the door is opened may affect the temperature inside and it may be necessary to alter the control from these settings.



Note: In the summer months, or in conditions giving high temperatures around the Fridge the compressor has to work harder and run for longer periods. This is quite normal. Conversely, during cold weather, the compressor will run for much shorter periods.





Key Contacts

After Sales Service

Over 1100 trained specialists, directly employed by us, ensure that you have complete confidence in both the appliances and services we offer.

Repair Service

UK: 08709 066 066

(Open 8 to 8 Mon - Fri, 8 to 6 Sat & 10 to 4 Sun)

www.theservicecentre.co.uk

Republic of Ireland: 1850 302 200

Note: Our Service Operators will require the following information:

Model Number

Serial Number

Extended Warranties

UK: 08709 088 088

(Open 8 to 6 Mon - Fri)

www.theservicecentre.co.uk

Republic of Ireland: 1850 502 200

Genuine Parts and Accessories

UK: 08709 077 077

(Open 8-30 to 5-30 Mon - Fri, 8-30 to 12 Sat)

www.theservicecentre.co.uk

Republic of Ireland: (01) 842 6836

General Domestic Appliances Limited, Morley Way, Peterborough, PE2 9JB